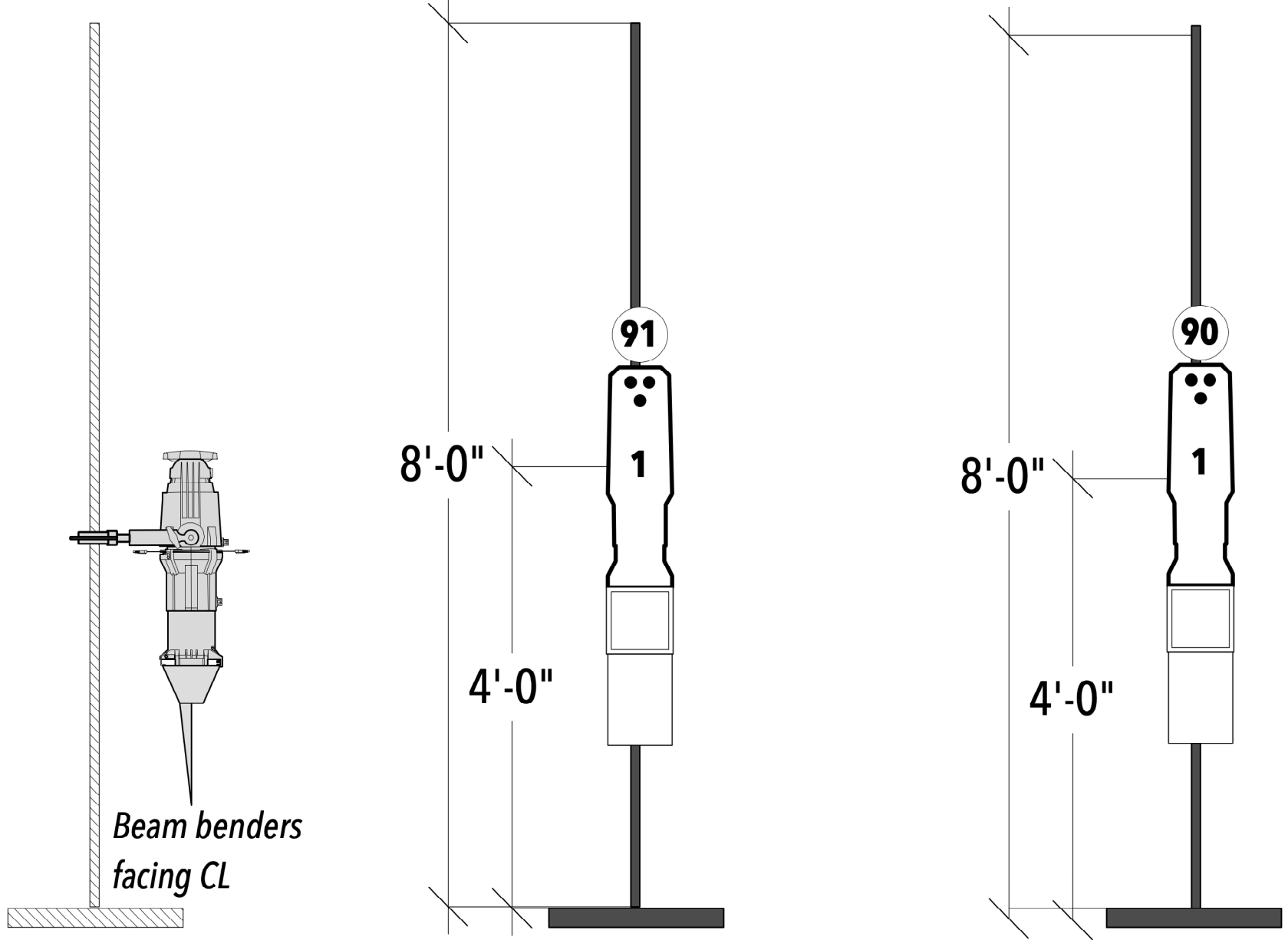
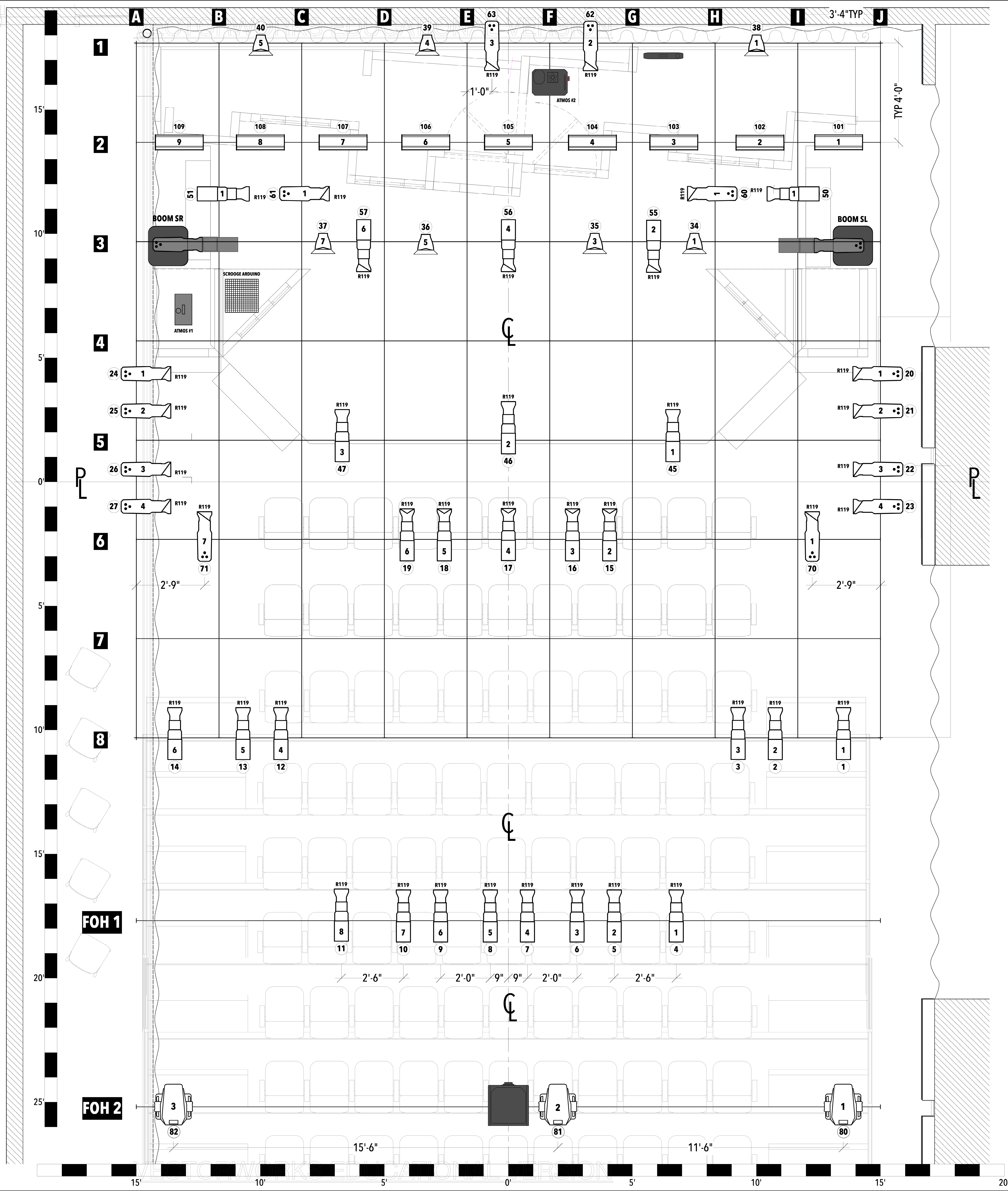
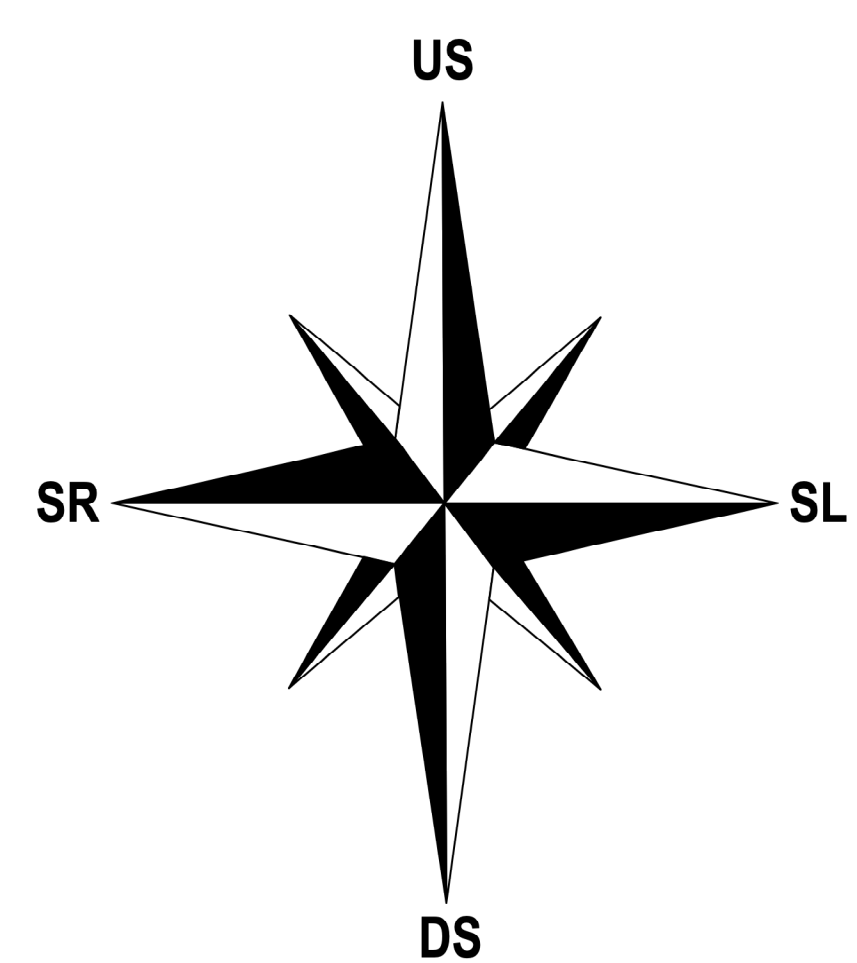
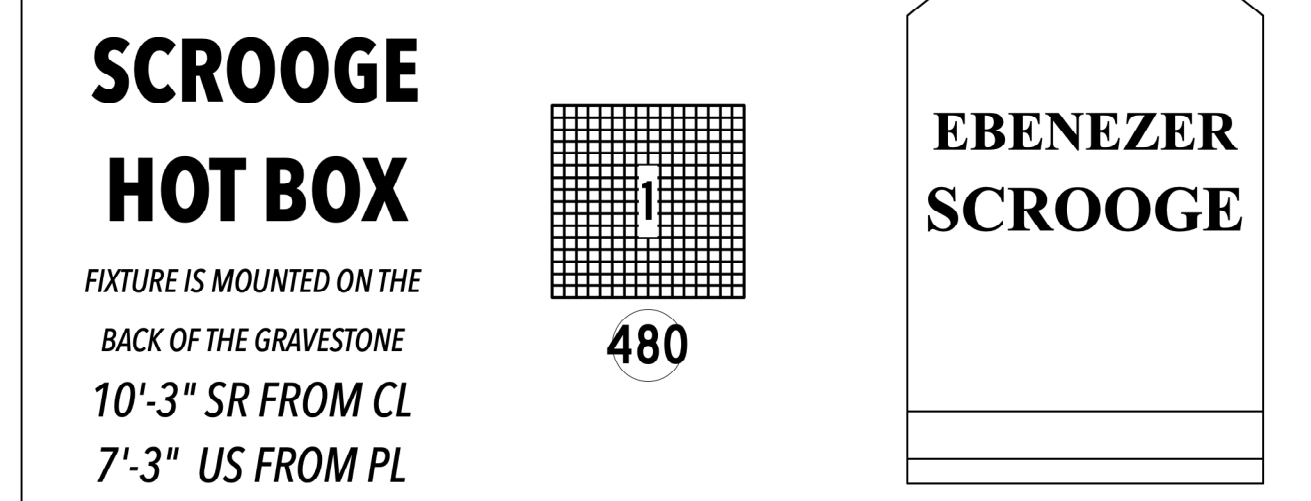
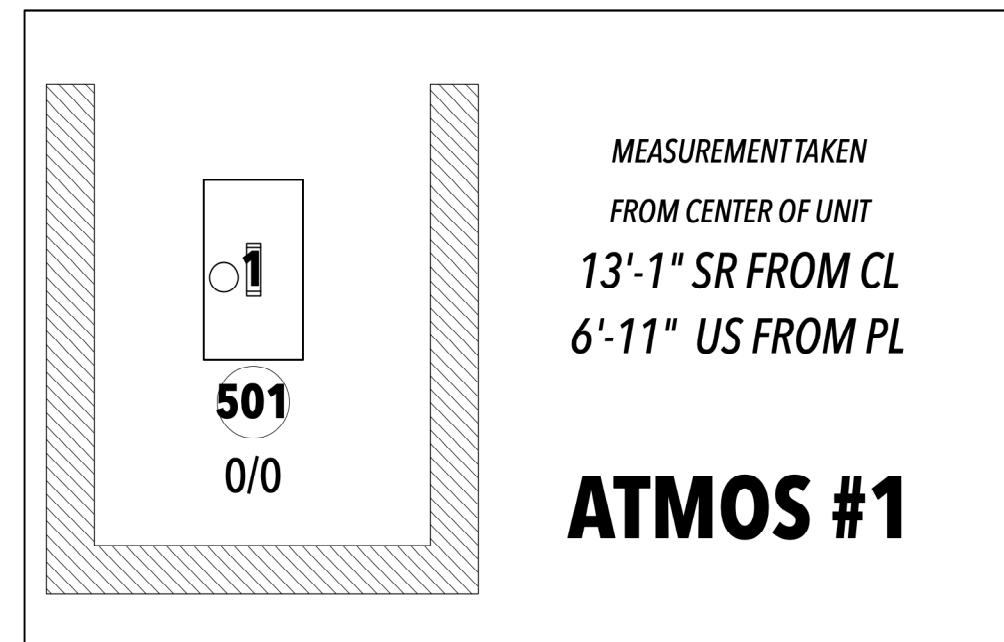
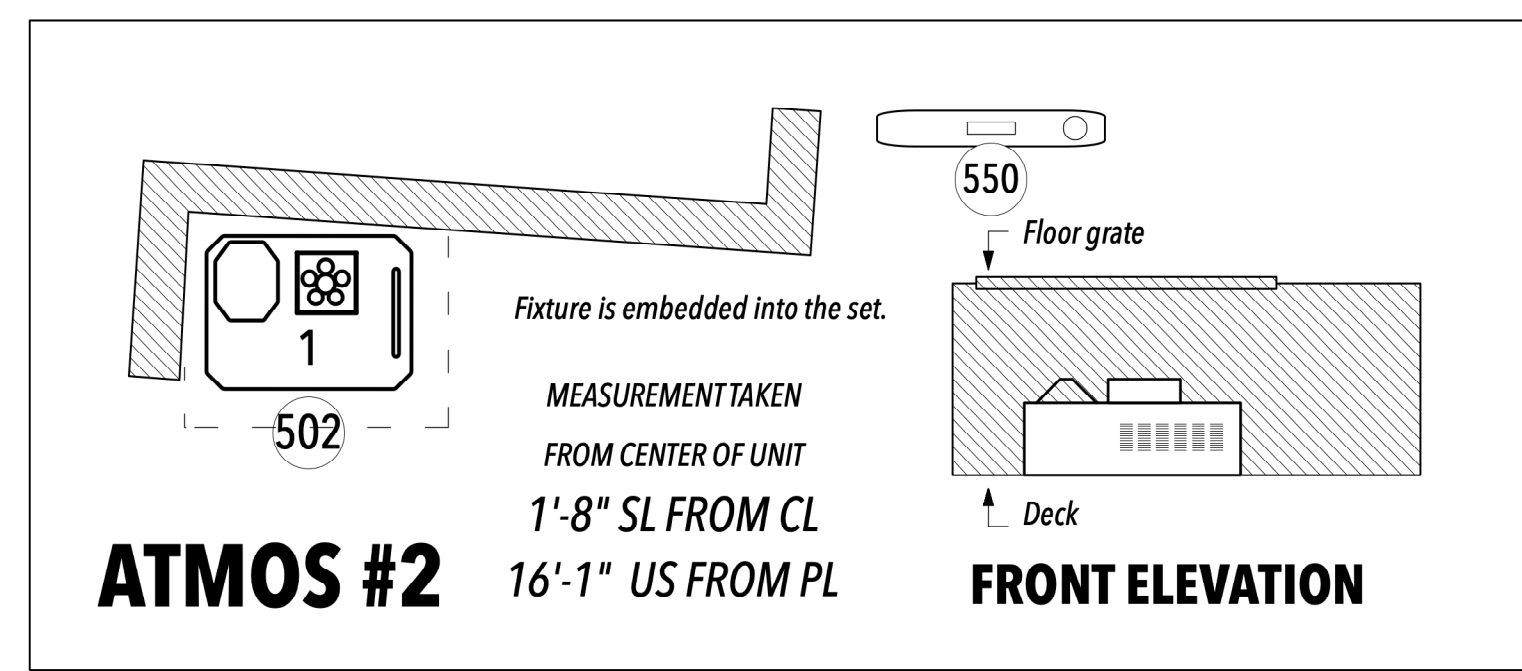


Note: Lustrs face down with beam benders projecting towards CL.

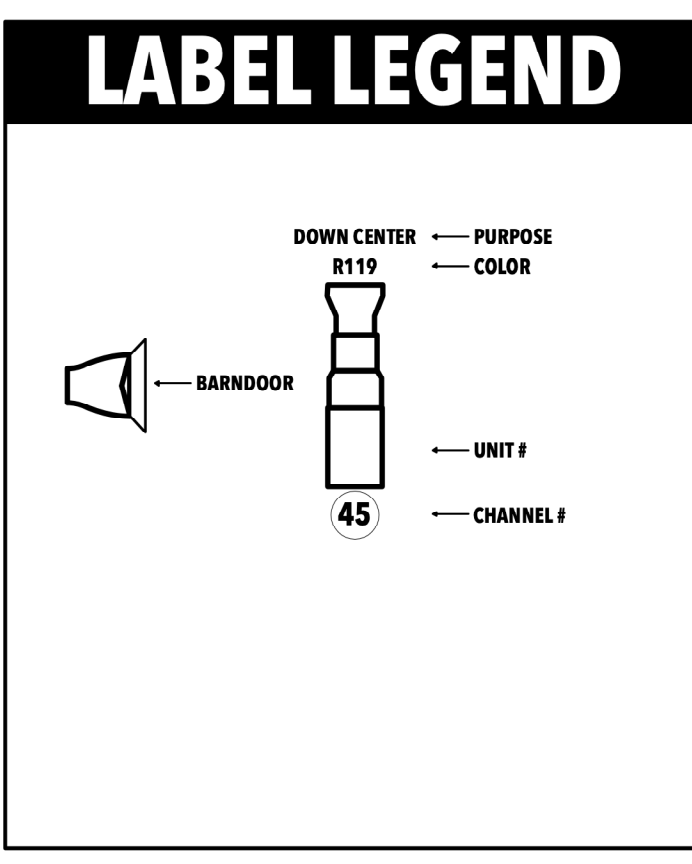


BOOM SR
9'-8" US FROM PL
13'-5" SR FROM CL

BOOM SL
9'-8" US FROM PL
13'-10" SL FROM CL



KEY	
	ETC S4 LED Lustr 26deg @ 117w
	ETC S4 LED Lustr 50deg @ 117w
	ETC CS Spot 26deg @ 160w
	ETC CS Spot 36deg @ 160w
	ETC CS Spot 50deg @ 160w
	Altman Spectra Cyc 200 @ 200 w
	ETC CS PAR Wide Oval @ 90w
	Blizzard Lighting HotBox @ 47w
	HES Solaframe 1000 @ 900 w
	Reel EFX DF-50 @ 400 w
	Chauvet Vesuvio RGBA @ 1480 w



NOTES

- All fixtures should be hung, cabled and working prior to focus.
- No substitutions or changes without the designers permission.
- Worklight per the Production Electrician.
- Please have spare R119.
- Refer to Lightweight for fixture related information.
- All boom bases should be weighted down to the deck.
- All booms over 2' in height must be rigged to the grid.
- All fixtures to be hung on 1'-4" centers unless otherwise noted.
- Please have black wrap available.

THIS DRAWING REPRESENTS VISUAL CONCEPTS AND CONSTRUCTION SUGGESTIONS ONLY. IT DOES NOT REPLACE THE KNOWLEDGE AND ADVICE OF A LICENSED STRUCTURAL ENGINEER. THE DESIGNER IS UNQUALIFIED TO DETERMINE THE STRUCTURAL APPROPRIATENESS OF THIS DESIGN AND WILL NOT ASSUME RESPONSIBILITY FOR IMPROPER ENGINEERING OR USE.

LIGHTING DESIGN BY:
DOMINICK ZAYNE RICHES
dominickriches@gmail.com
(816) 877-0337

REVISIONS		
REV	REVISION	DATE
A	2023 REVISED PLOT	10/17/23
B	2023 W/ ARDUINO	11/15/23

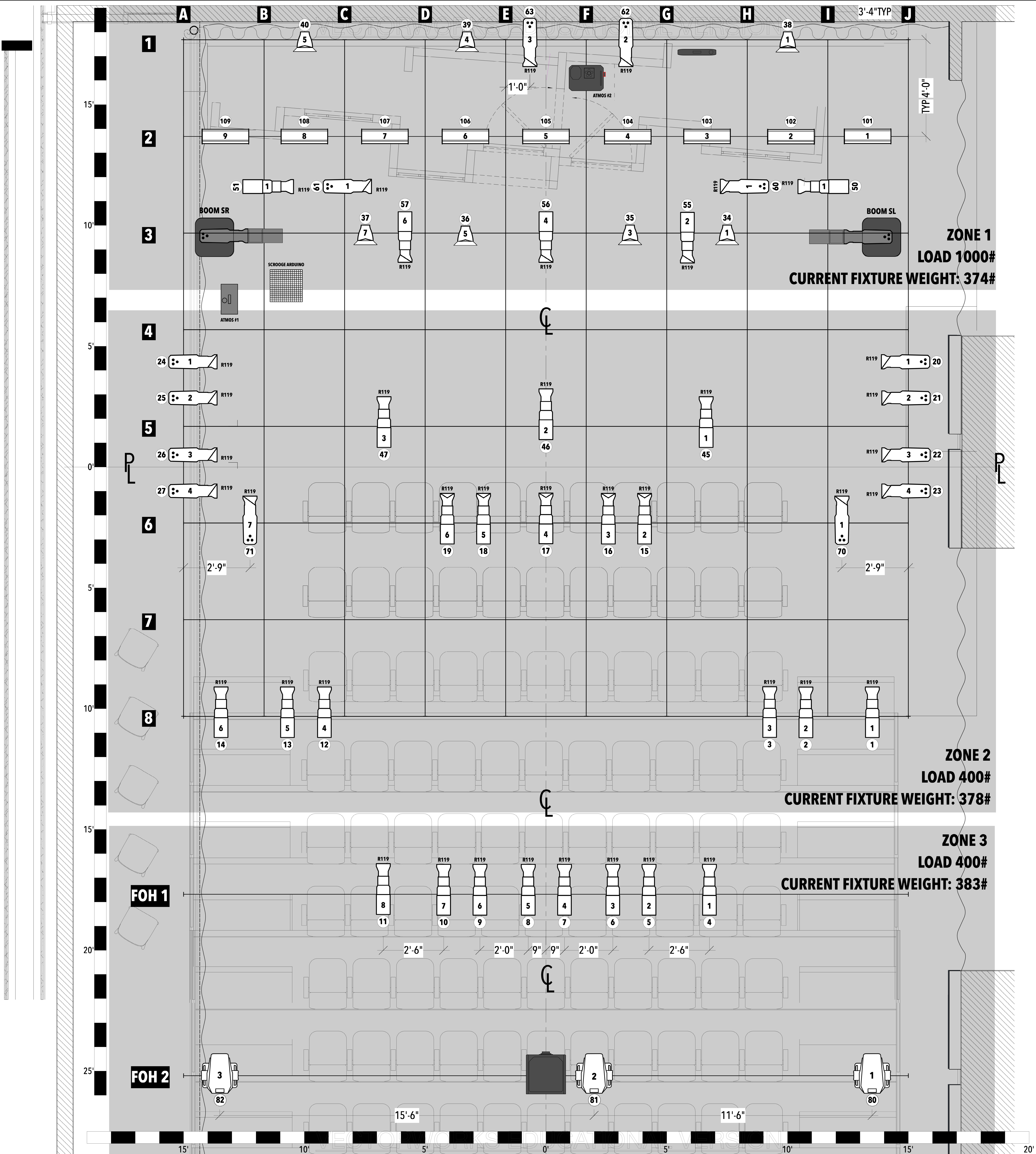


PRODUCTION STAFF	
Producer.....	Phillip Powell
Director.....	Benjamin Baker
Lighting Designer.....	Dominick Z. Riches
Production Electrician.....	Liz Shekhterman-Baklar
Programmer.....	Jake Jordan
Scenic Designer.....	Bland Wade
Technical Director.....	Tab May

UNIVERSITY OF NORTH CAROLINA
SCHOOL OF THE ARTS

VENUE: REYNOLDS PLACE	PLATE
SCALE: 3/4" = 1'0"	1 of 4
DATE: NOV 15TH 2023	
DRAWN BY: DOMINICK RICHES	

OVERSTAGE



KEY

- ETC S4 LED LUSTR 26deg @ 117w
- ETC S4 LED LUSTR 50deg @ 117w
- ETC CS Spot 26deg @ 160w
- ETC CS Spot 36deg @ 160w
- ETC CS Spot 50deg @ 160w
- Altman Spectra Cyc 200 @ 200 w
- ETC CS PAR Wide Oval @ 90w
- Blizzard Lighting HotBox @ 47w
- HES Solaframe 1000 @ 900 w
- Reel EFX DF-50 @ 400 w
- Chauvet Vesuvio RGBA @ 1480 w

LABEL LEGEND

DOWN CENTER
BARNDOR
UNIT F
CHANNEL L
CSOR

NOTES

- All fixtures should be hung, cabled and working prior to focus.
- No substitutions or changes without the designers permission.
- Worklight per the Production Electrician.
- Please have spare R119.
- Refer to Lightwright for fixture related information.
- All boom bases should be weighted down to the deck.
- All booms over 6' in height must be rigged to the grid.
- All fixtures to be hung on 1'-4" centers unless otherwise noted.
- Please have black wrap available.

THIS DRAWING REPRESENTS VISUAL CONCEPTS AND CONSTRUCTION SUGGESTIONS ONLY. IT DOES NOT REPLACE THE KNOWLEDGE AND ADVICE OF A LICENSED STRUCTURAL ENGINEER. THE DESIGNER IS UNQUALIFIED TO DETERMINE THE STRUCTURAL APPROPRIATENESS OF THIS DESIGN AND WILL NOT ASSUME RESPONSIBILITY FOR IMPROPER ENGINEERING OR USE.

LIGHTING DESIGN BY:
DOMINICK ZAYNE RICHES
dominickriches@gmail.com
(816) 877-0337

REVISIONS

REV	REVISION	DATE
A	2023 REVISED PLOT	10/17/23
B	2023 W/ ARDUINO	11/15/23



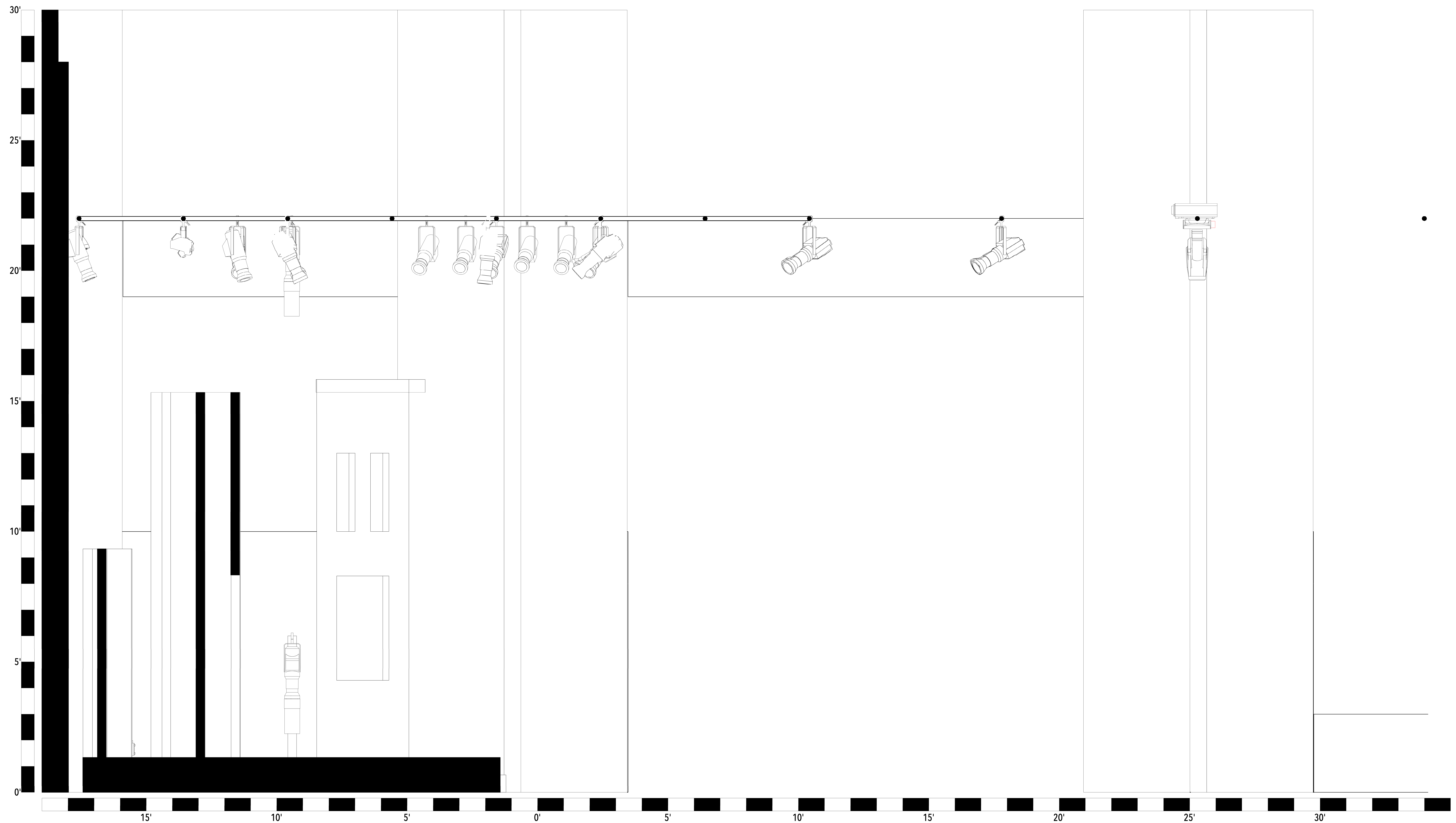
PRODUCTION STAFF

Producer.....	Philip Powell
Director.....	Benjamin Baker
Lighting Designer.....	Dominick Z. Riches
Production Electrician.....	Liz Shekhterman-Baklar
Programmer.....	Jake Jordan
Scenic Designer.....	Bland Wade
Technical Director.....	Tab May

UNIVERSITY OF NORTH CAROLINA
SCHOOL OF THE ARTS

VENUE: REYNOLDS PLACE	PLATE
SCALE: 3/4" = 1'0"	2 of 4
DATE: NOV 15TH 2023	
DRAWN BY: DOMINICK RICHES	

ZONING



KEY

- ETC S4 LED Lustr 26deg @ 117w
- ETC S4 LED Lustr 50deg @ 117w
- ETC CS Spot 26deg @ 160w
- ETC CS Spot 36deg @ 160w
- ETC CS Spot 50deg @ 160w
- Altman Spectra Cyc 200 @ 200 w
- ETC CS PAR Wide Oval @ 90w
- Blizzard Lighting HotBox @ 47w
- HES Solaframe 1000 @ 900 w
- Reel EFX DF-50 @ 400 w
- Chauvet Vesuvio RGBA @ 1480 w

LABEL LEGEND

NOTES

- All fixtures should be hung, cabled and working prior to focus.
- No substitutions or changes without the designers permission.
- Worklight per the Production Electrician.
- Please have spare RT19.
- Refer to Lightwright for future related information.
- All boom bores should be weighted down to the deck.
- All booms over 8' in height must be rigged to the grid.
- All fixtures to be hung on 1'-0" centers unless otherwise noted.
- Please have black wrap available.

THIS DRAWING REPRESENTS VISUAL CONCEPTS AND CONSTRUCTION SUGGESTIONS ONLY. IT DOES NOT REPLACE THE KNOWLEDGE AND ADVICE OF A LICENSED STRUCTURAL ENGINEER. THE DESIGNER IS UNQUALIFIED TO DETERMINE THE STRUCTURAL APPROPRIATENESS OF THIS DESIGN AND WILL NOT ASSUME RESPONSIBILITY FOR IMPROPER ENGINEERING OR USE.

LIGHTING DESIGN BY:
DOMINICK ZAYNE RICHES
 dominickriches@gmail.com
 (816) 877-0337

REVISIONS

REV	REVISION	DATE
A	2023 REVISED PLOT	10/17/23
B	2023 W/ ARDUINO	11/15/23



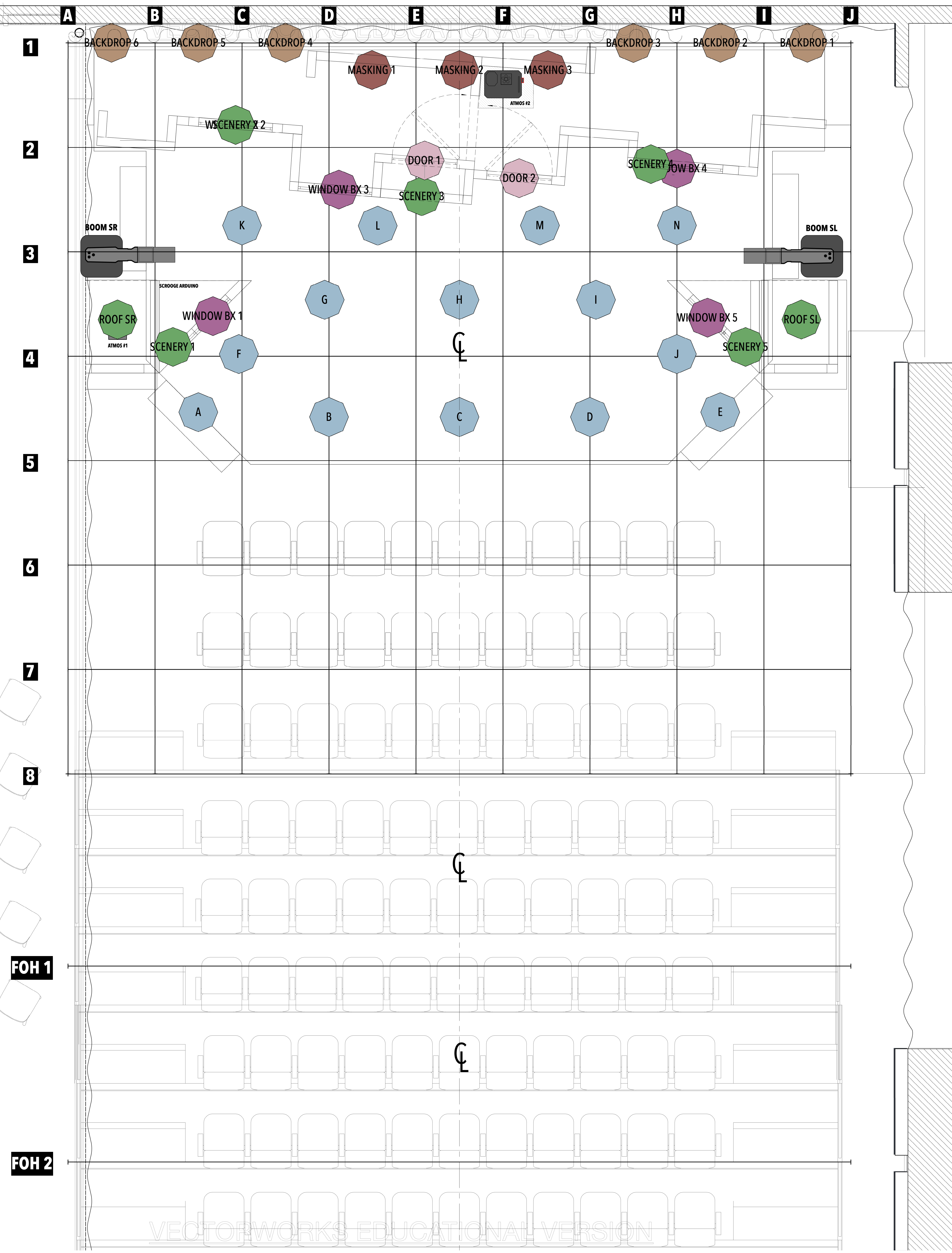
PRODUCTION STAFF

Producer.....	Philip Powell
Director.....	Benjamin Baker
Lighting Designer.....	Dominick Z. Riches
Production Electrician.....	Liz Shekhterman-Baklar
Programmer.....	Jake Jordan
Scenic Designer.....	Bland Wade
Technical Director.....	Tab May

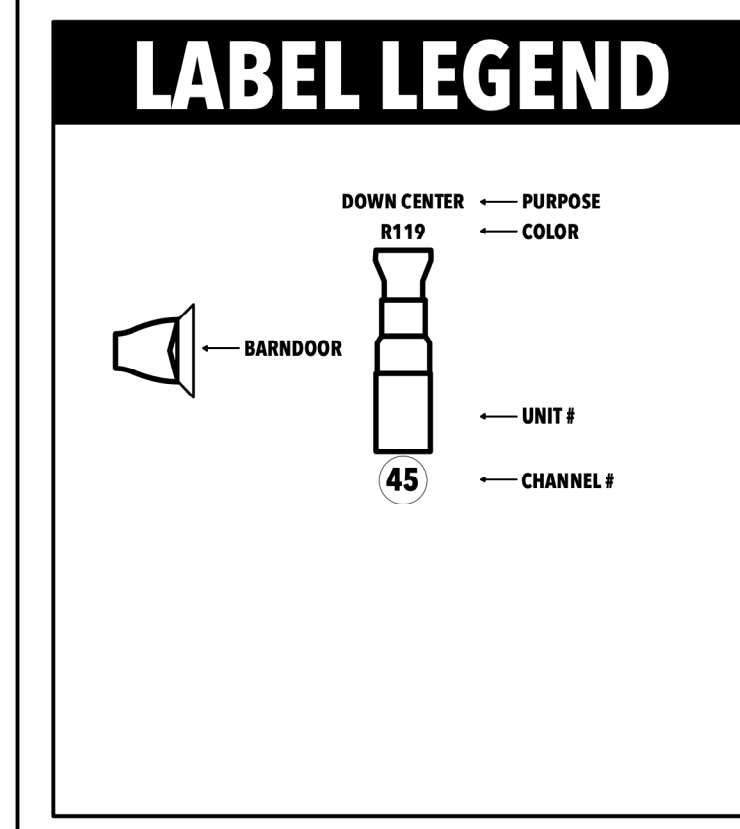
UNIVERSITY OF NORTH CAROLINA
SCHOOL OF THE ARTS

VENUE: REYNOLDS PLACE	PLATE
SCALE: 3/4" = 1'0"	3 of 4
DATE: NOV 15TH 2023	
DRAWN BY: DOMINICK RICHES	

SECTION TO SR



KEY	
	ETC S4 LED Lustr 26deg @ 117w
	ETC S4 LED Lustr 50deg @ 117w
	ETC CS Spot 26deg @ 160w
	ETC CS Spot 36deg @ 160w
	ETC CS Spot 50deg @ 160w
	Altman Spectra Cyc 200 @ 200 w
	ETC CS PAR Wide Oval @ 90w
	Blizzard Lighting HotBox @ 47w
	HES Solafire 1000 @ 900 w
	Reel EFX DF-50 @ 400 w
	Chauvet Vesuvio RGBA @ 1480 w



- NOTES**
- All fixtures should be hung, cabled and working prior to focus.
 - No substitutions or changes without the designers permission.
 - Worklight per the Production Electrician.
 - Please have spare RT 19.
 - Refer to Lightwright for future related information.
 - All boom booms should be weighted down to the deck.
 - All booms over 6' in height must be rigged to the grid.
 - All fixtures to be hung on 1" 4" centers unless otherwise noted.
 - Please have black wrap available.

THIS DRAWING REPRESENTS VISUAL CONCEPTS AND CONSTRUCTION SUGGESTIONS ONLY. IT DOES NOT REPLACE THE KNOWLEDGE AND ADVICE OF A LICENSED STRUCTURAL ENGINEER. THE DESIGNER IS UNQUALIFIED TO DETERMINE THE STRUCTURAL APPROPRIATENESS OF THIS DESIGN AND WILL NOT ASSUME RESPONSIBILITY FOR IMPROPER ENGINEERING OR USE.

LIGHTING DESIGN BY:
DOMINICK ZAYNE RICHES
 dominickriches@gmail.com
 (816) 977-0337

REVISIONS		
REV	REVISION	DATE
A	2023 REVISED PLOT	10/17/23
B	2023 W/ ARDUINO	11/15/23



PRODUCTION STAFF	
Producer.....	Philip Powell
Director.....	Benjamin Baker
Lighting Designer.....	Dominick Z. Riches
Production Electrician.....	Liz Shekhterman-Baklar
Programmer.....	Jake Jordan
Scenic Designer.....	Bland Wade
Technical Director.....	Tab May

UNIVERSITY OF NORTH CAROLINA
SCHOOL OF THE ARTS

VENUE: REYNOLDS PLACE	PLATE
SCALE: 3/4" = 1'0"	4 of 4
DATE: NOV 15TH 2023	
DRAWN BY: DOMINICK RICHES	

GROUNDPLAN